

PROTEUS-S

Standard mode-selective spatial multiplexer for optical telecommunications

Features

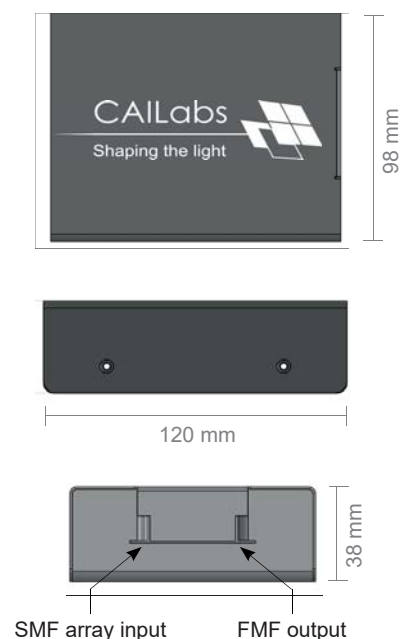
- 6 or 10 mode multiplexer
- Operation over C-band (1550 nm)
- Low insertion loss and high mode selectivity
- Ultra compact design
- Optimized for commercially available few-mode fibers

Description

- Entry-level, standard design for research and development groups
- Based on CAILabs' **Multi-Plane Light Conversion* (MPLC)** patented technology
- Provides efficient multiplexing of 6 or 10 spatial modes
- Choice of commercially available, step-index or graded-index few-mode fibers manufactured by Prysmian

General specifications

Parameter	PROTEUS-S-6		PROTEUS-S-10	
	Value (at 20°C)	Typical	Value (at 20°C)	Typical
Number of modes	6		10	
Wavelength of operation	C-band (optimized for 1550 nm)			
Back-to-back insertion loss	< 7 dB	5 dB	< 10 dB	8 dB
Back-to-back cross-talk	< -15 dB	-20 dB	< -12 dB	-18 dB
Signal input fiber type	SMF-28e+ array with LC/PC connectors			
Signal output fiber type	4 LP mode step-index fiber by Prysmian		6 LP mode graded-index fiber by Prysmian	
Package size (mm)	120 x 98 x 38			



* U.S. Pat No 9.250.454 - Japanese patent n° 5990544